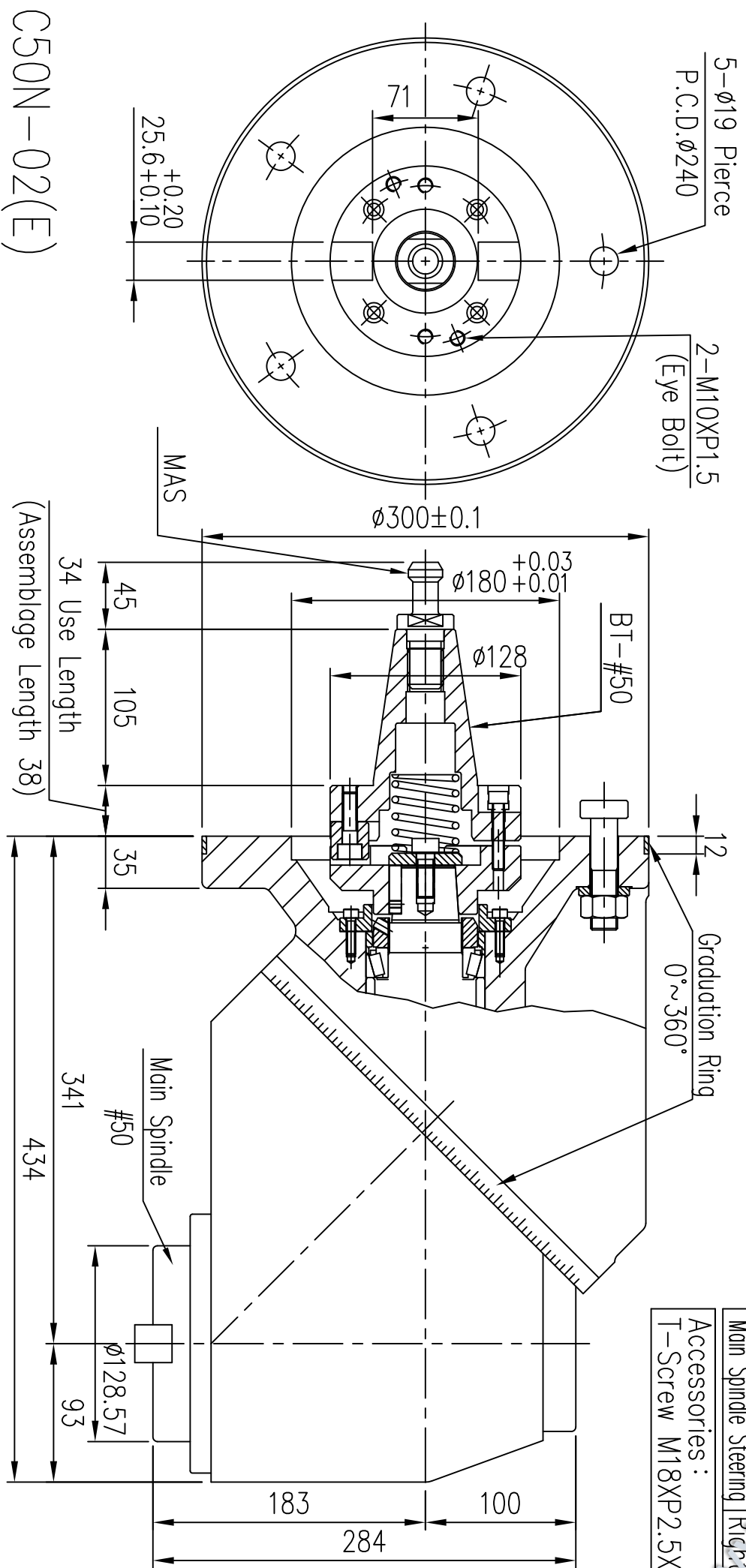


加工精度

Pull Stud Select	BT(M24X3.0)	Max Cutter Dia	ø150(6")
	NT(M24X3.0)	Reduction Ratio	1 : 1
	NT(1")	Max Torque	1200Nm
		Max Power	42kw
		Max Revolving	2000rpm
		Main Spindle Steering	Right Turn

Accessories:
T-Screw M18XP2.5X87L



C50N-02(E)

(Assemblage Length 38)