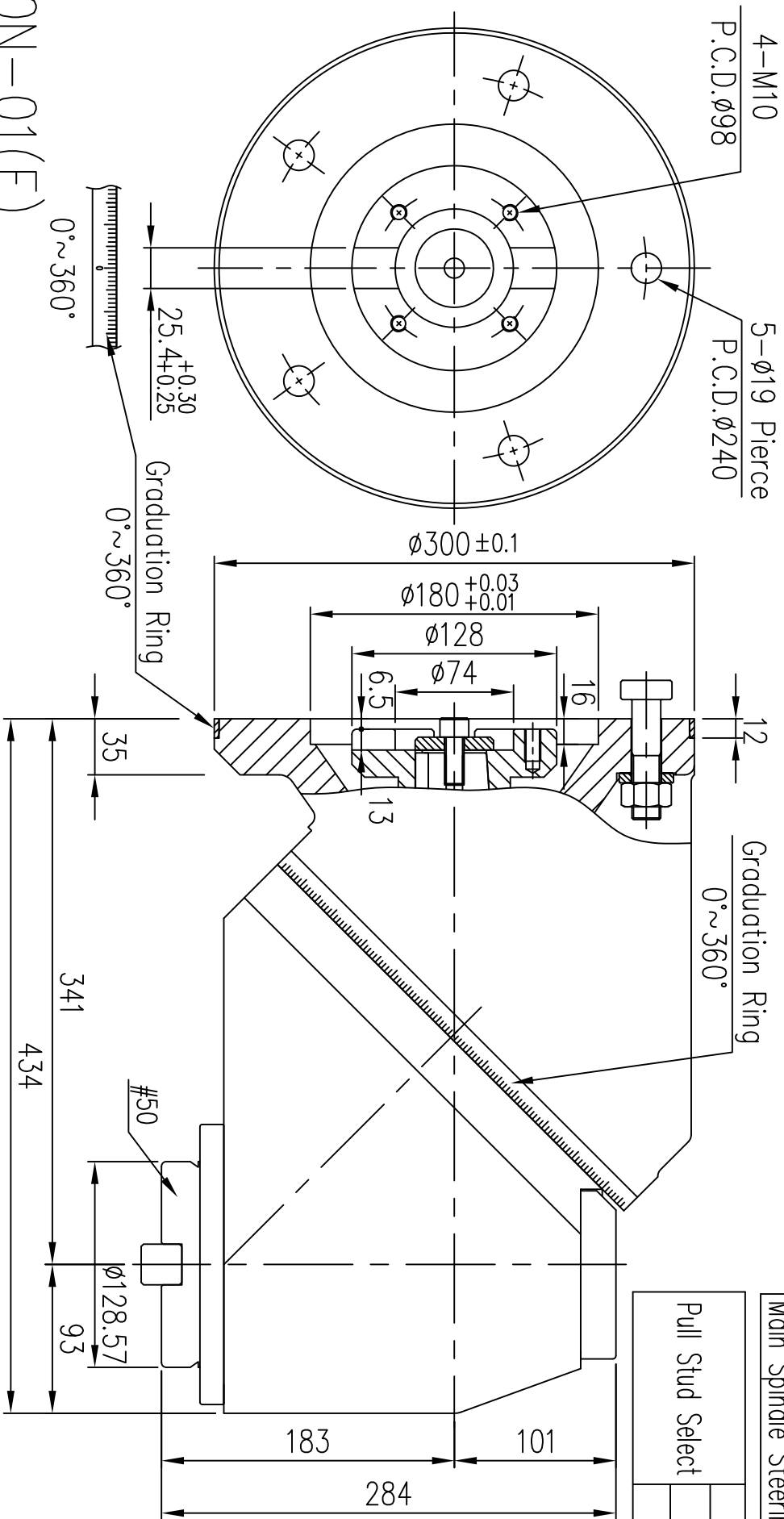


加工精度

Accessories : "T"-Screw x5
M18XP2.5X87L

C50N-01(E)



Max Cutter Dia	ø150(6")
Reduction Ratio	1 : 1
Max Torque	1200N.m
Max Power	42kw
Max Revolving	2000 RPM
Main Spindle Steering	Right Turn
Pull Stud Select	BT(M24X3.0)
	NT(M24X3.0)
	NT(1")