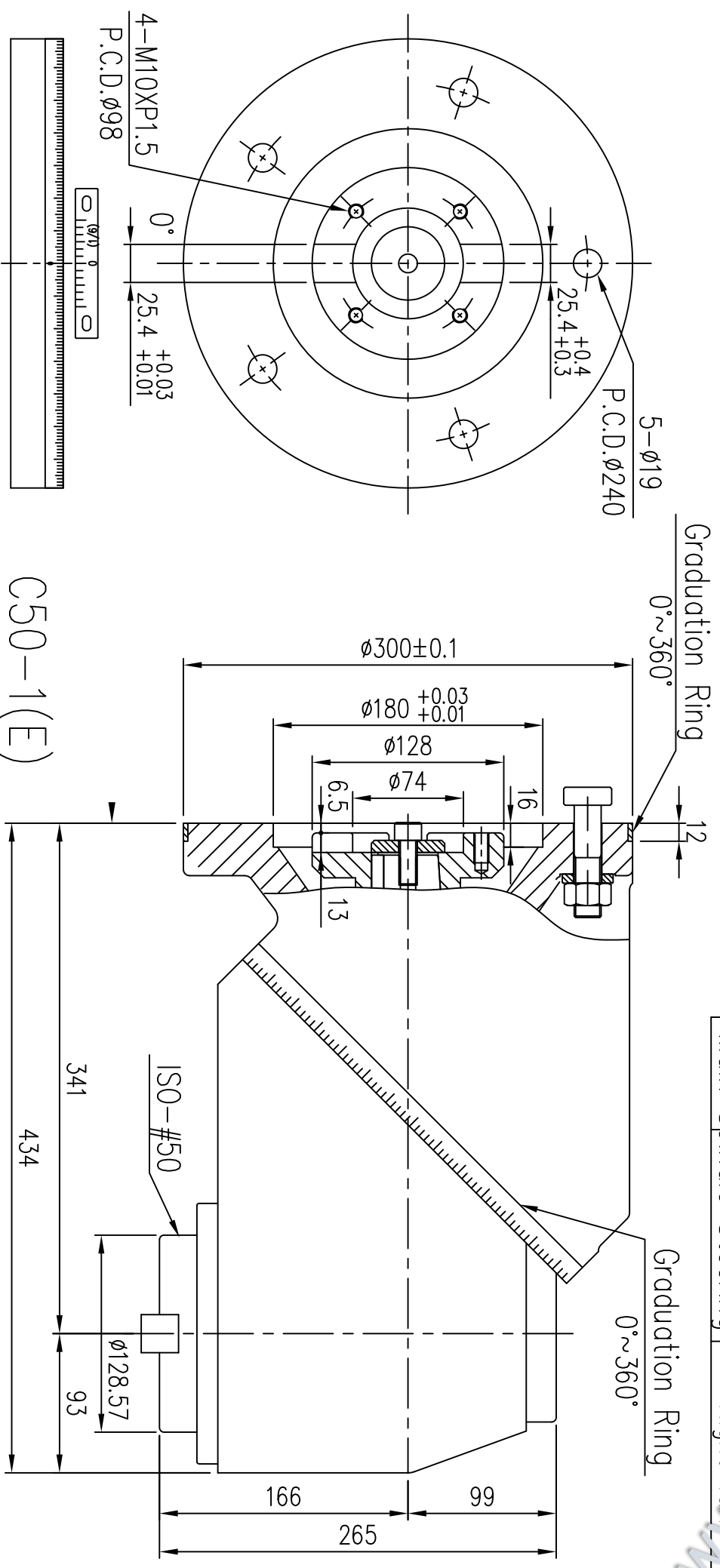


加工精度

Pull Stud Select	BT(M24X3.0)
	NT(M24X3.0)
	NT(1")

Accessories : "T"-screw X5
M18XP2.5X87L

Max Cutter Dia	φ200(8")
Reduction Ratio	1 : 1
Max Power	42kw
Max Torque	1200 N.m
Max Revolving	1200 PPM
Main Spindle Steering	Right turn



C50-1(E)