

加工精度

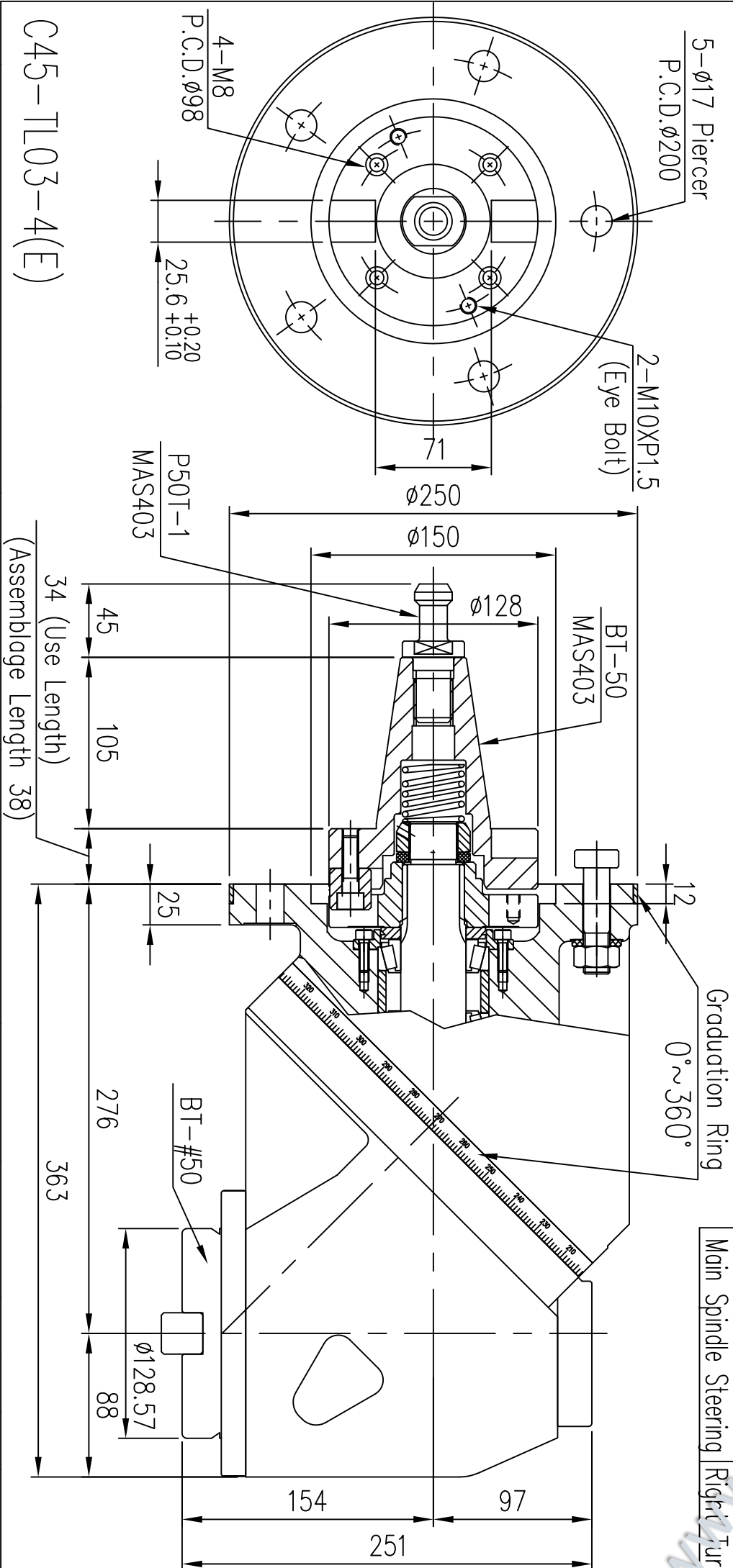
Accessories:

"T"-Screw M16XP2.0X67L X2  
 "T"-Screw M16XP2.0X76L X3

Pull Rod  
 Select

BT(M24X3.0)  
 NT(M24X3.0)  
 NT(1")

Max Cutter Dia	ø150(6")
Reduction Ratio	1 : 1
Max Torque	1000N.m
Max Power	38kw
Max Revolving	1200rpm
Main Spindle Steering	Right Turn



C45-TL03-4(E)