

加工精度

Accessories : "T"-screw

M16XP2.0X76L X3
M16XP2.0X67L X2

Pull Rod
Select

BT(M24X3.0)
NT(M24X3.0)
NT(1")

Max Cutter Dia $\phi 200(8")$

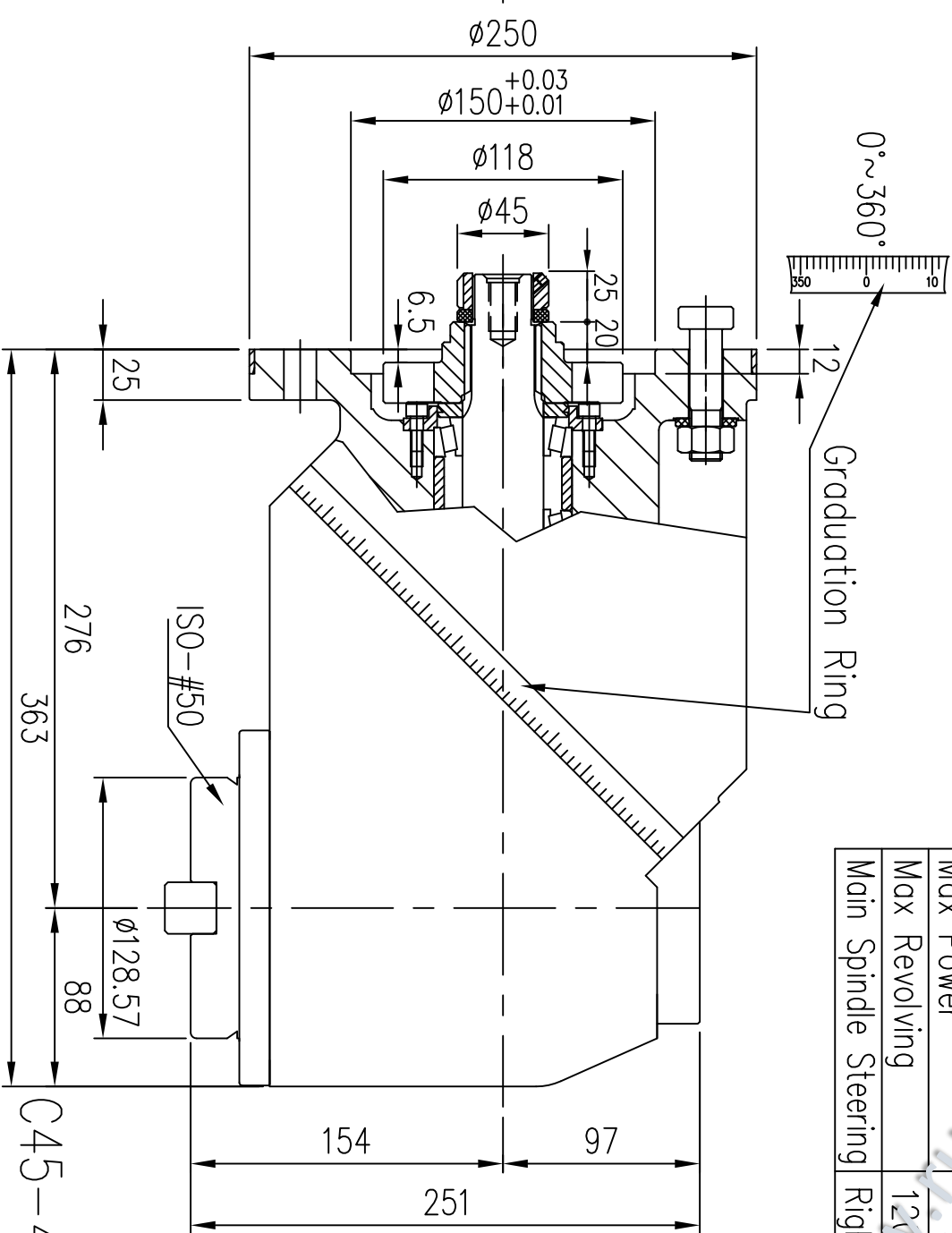
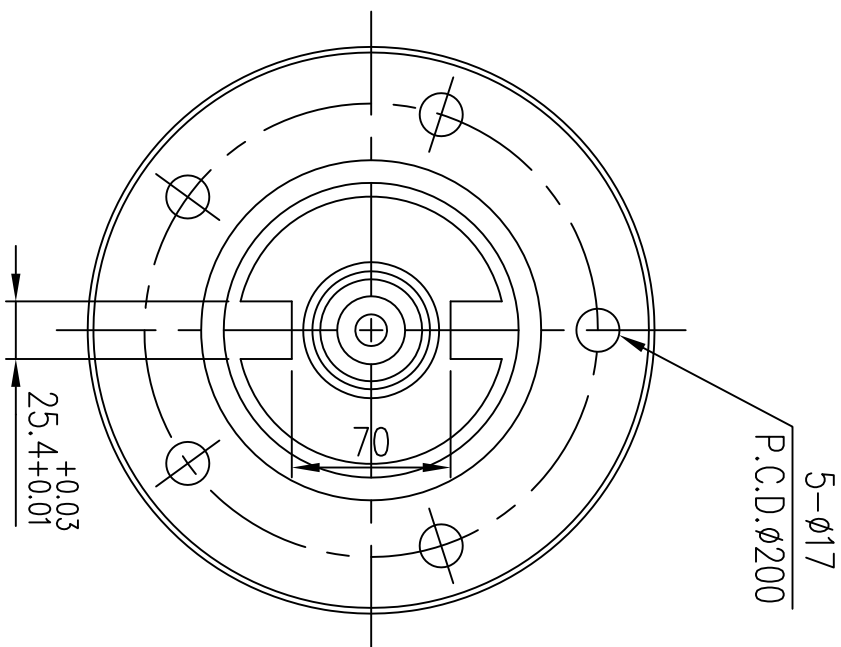
Reduction Ratio 1 : 1

Max Torque 1000 N-m

Max Power 38kw

Max Revolving 1200 RPM

Main Spindle Steering Right turn



C45-4C(E)

ru.euroknives.ru